



Installation Instructions for your D'Vontz Copper Sink

Items needed for Installation:

- A quality 100% clear silicon sealer.
 - Plumbing tailpiece designed for sinks without overflows. (D'Vontz or Westbrass)
 - Soft cotton rag.
 - Pencil
 - Tape Measure
-

Directions:

Drop In Installation:

- **Since your D'Vontz copper sink is manufactured by hand, we are unable to provide a template due to variations that occur in width. Please proceed as follows.**
- Measure width across top of sink from outside edge to outside edge. Approximate width will be 17". Determine countertop hole size by subtracting 1" from this dimension. Layout this dimension on countertop and cut hole.
- Once countertop hole is cut, set sink inside hole and center. Trace outside rim of sink lightly with a pencil. Remove sink and apply a 3/8" bead of silicon sealant around hole centered on the pencil line.
- Before setting sink in countertop, prepare and attach drain tailpiece to sink. We recommend clear silicone sealant under tailpiece flange. See Figure B. After tightening tailpiece remove excess putty or sealer.
- Carefully set sink into countertop hole and sealant. Once positioned, carefully remove excess sealant from the outside rim of sink with a soft cotton rag while holding downward pressure on sink.
- Sink must set a minimum of 12 hours for sealer to set before putting any movement or pressure on sink.

Under Mount Installation for Flat Edged Sink:

- Measure inside diameter of sink. Subtract one inch from this dimension to obtain dimension of countertop opening.

- Center sink on opening and adhere sink to underneath surface of countertop with silicone adhesive or other suitable adhesive applied to sink flange. Support sink until adhesive cures.

Vessel Installation:

Additional items needed for Vessel installation:

Drill Motor with a 2 3/4" and 1 5/8" Hole Saw.
24" Level.

- Determine installation location on countertop for sink and mark centerline for drain hole.
- Use a 2 3/4" hole saw and drill a hole using the centerline mark to a depth of 3/8".
- Next drill a 1 5/8" diameter hole in the middle of the 2 3/4" hole that goes all the way through the countertop. See Fig. A.

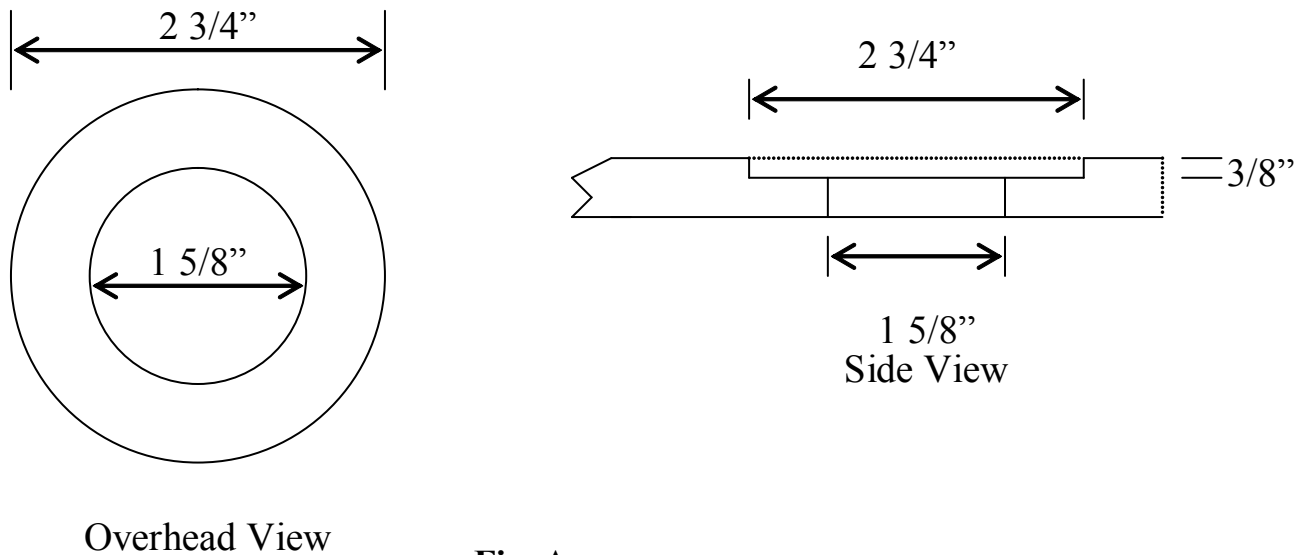


Fig. A

- Remove material from the 2 3/4" cut to a depth of 3/8". Test fit sink into recess.
- Run a 1/4" bead of silicone in 2 3/4" recess. Place sink into recess and level from side to side and front to back. Install sink tailpiece through sink and countertop.
- Silicone should be used under tailpiece flange. See Figure B. After tightening tailpiece remove excess sealer. Connect drain trap and associated plumbing. Allow 12 hours for silicone to dry before use.

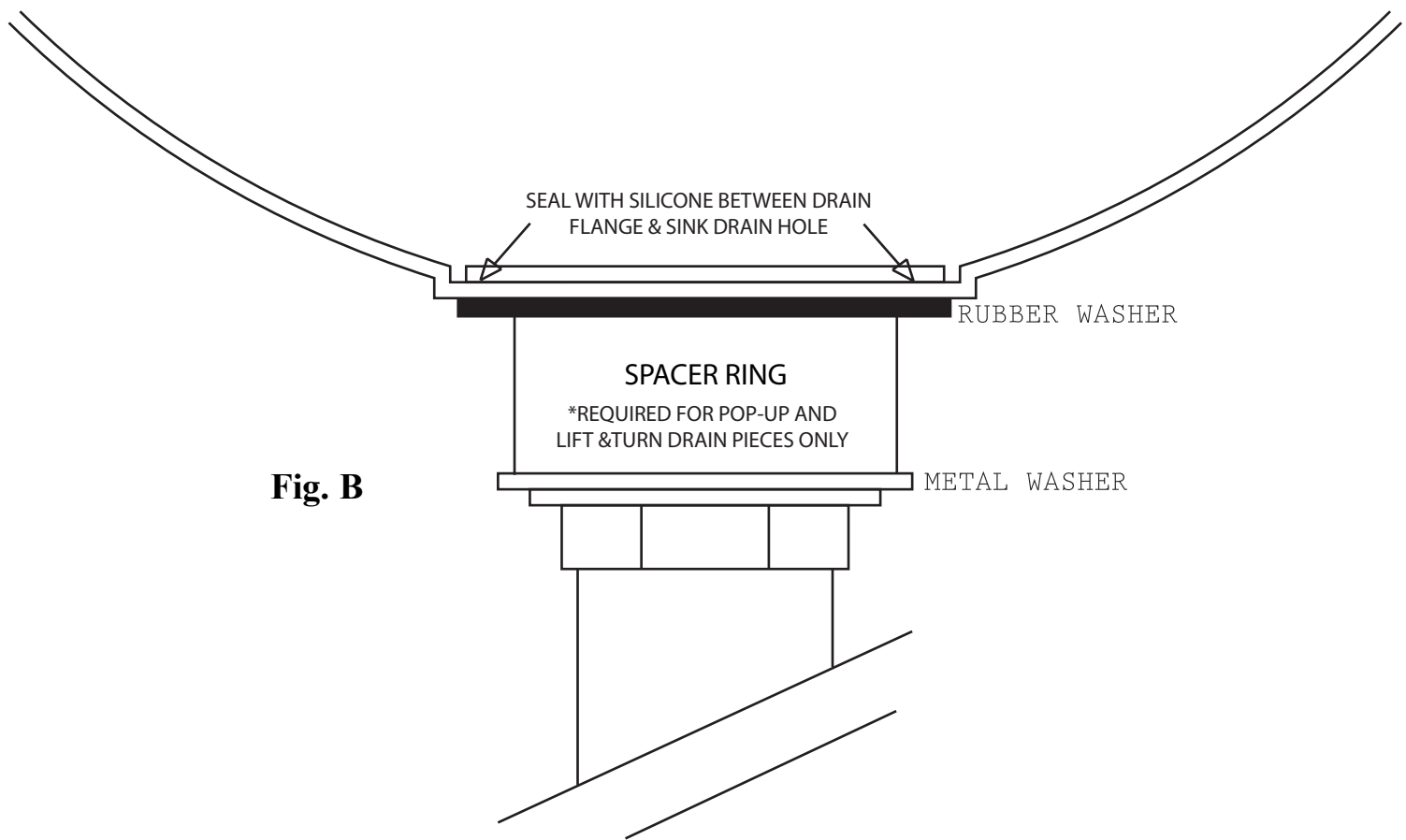


Fig. B

Care and Maintenance:

Caring for our copper bowls is surprisingly easy. Rinsing your sink with clean water and drying with a soft cloth after each use will help keep your sink looking new. For cleaning use a liquid dish soap and water with a non-abrasive sponge. Never use abrasive cleaners. Most copper sinks are considered a “live” finish, meaning the patina (finish) **will** change over time. If you ordered the Dark Smoke finish, this patina will continue to darken over time as you use your sink giving an “Old World” look. **Do not use copper cleaners, abrasive materials or harsh chemicals on this sink as this will remove the patina.** If a chemical lightens the finish, don’t worry, time will return the darker patina. For maintaining the Shiny Copper finish, copper cleaners or lemon juice will restore it to its original luster. For added protection, paste waxes such as Flitz Furniture and Faucet Wax or any quality automotive wax will help maintain the beauty of your sink as well as help keep it clean.

Any questions with the installation, please call Customer Service at (877) 322-3600. We will be happy to assist you.

www.dvontz.com

Copyright 2005, D’Vontz L.L.C. All Rights Reserved
DCS 1/06