



Exclusively Designed • INTERNATIONALLY RECOGNIZED

# INSTALLATION GUIDE

THIS INSTALLATION GUIDE REFERENCES ALL D'VONTZ SPREAD SET FAUCETS

## Thank You for choosing our D'Vontz faucet

We appreciate your choice of our D'Vontz faucet. All the information in this guide is based upon the latest product information available at the time of publication. We reserve the right to make changes in product characteristics, packaging, or availability at any time without notice. Please take a few minutes to review this guide. If you have any questions, please contact us at 918-622-3600.

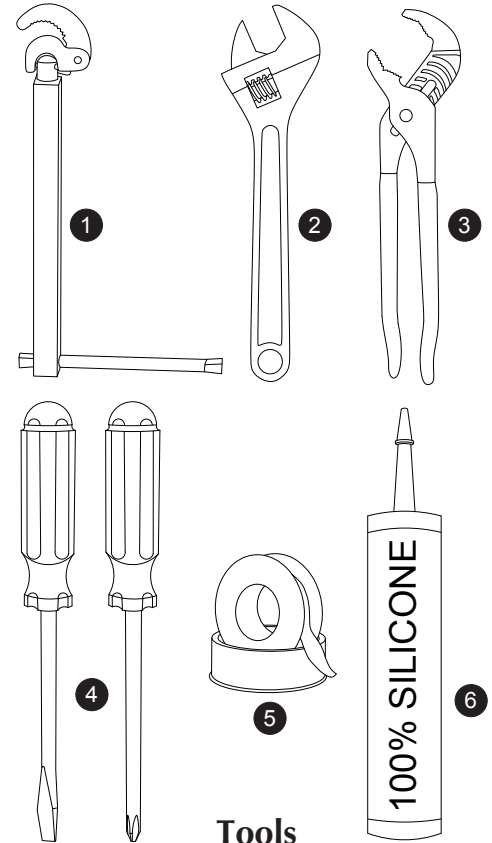
### Before you begin:

Carefully inspect your homes waste and supply lines, stops or shut off valves for any sign of damage, replacing if necessary. NOW is the time to replace them before the installation of your new faucet. Use extreme caution when connecting all hoses to avoid kinking. During the installation, DO NOT over tighten the supply lines when attaching them to your faucet. The o'rings provide the water seal of the supply line.

Observe all local plumbing and building codes. A professional plumber is not required for installation. Yet, for expert faucet installation, you may need to contact a licensed professional plumbing contractor in your area.

### Tools you may need:

1. Basin wrench
2. Adjustable wrench
3. Channel Lock wrench
4. Screwdriver (Phillips and Slotted)
5. Teflon Tape
6. 100% Clear Silicone (Plumbers putty is NOT recommended as it will void warranties)



### Packaging

Unpack your new D'Vontz faucet and inspect for damage or missing pieces. If any damage is present, promptly contact us for return/replacement options. No return/refund will be honored to any damaged D'Vontz product post installation. There is a drain lift rod and four unlabeled boxes for your D'Vontz faucet. Refer to the reference list below during installation of your faucet.

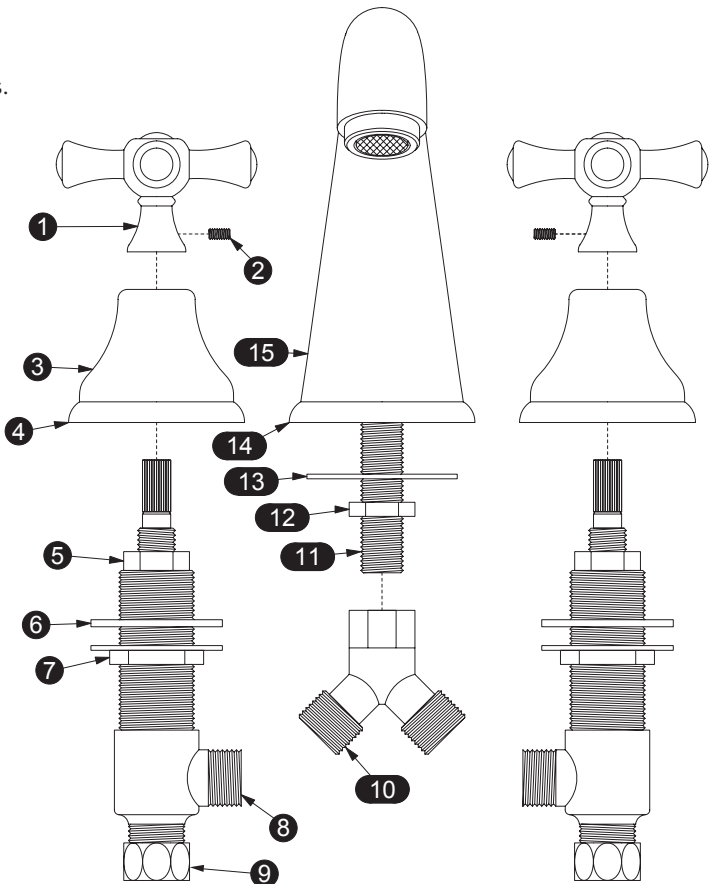
1. Faucet handle
2. Faucet handle retaining screw
3. Faucet handle trim body
4. Faucet handle trim ring
5. Valve assembly
6. Washer
7. Retaining nut
8. Valve assembly outlet
9. Valve assembly inlet
10. Y-adapter
11. Spout supply tube
12. Spout supply tube retention nut
13. Grooved washer
14. Spout trim ring
15. Spout

MAXIMUM COUNTERTOP THICKNESS = 2-1/2"

Return the faucet to the carton(s) until you are ready to install it.

### Prepare the Sight:

1. Observe all local plumbing and building codes
2. Shut off the water supply to your sink or faucet. Shutting off water supply to the entire home is also acceptable, but not required.



Please install this product according to the installation guide and all local plumbing codes.



## Install Spout

1. Thread spout supply tube (11) into the bottom of the faucet spout (15).
2. Remove (unscrew) spout retention nut (12).
3. Insert trim ring (14) onto spout.
4. Ensure O-ring seal on bottom of trim ring is solid and into its proper groove.
5. Insert into center hole of vanity top, faucet spout (15) facing forward.
6. Slide metal washer with groove (13) onto supply tube and loosely replace retention nut (12).
  - a. Ensure gap or groove on washer faces to the back (opposite of the faucet spout) as this will allow the lift rod to have clearance when installed.
7. Tighten retaining nut (12) until faucet is snug in locking position and is tight against countertop.
8. Remove Y-adapter (10) from plastic packaging. Ensure the end with the blue washer, or "female end", of the Y-adapter is facing upward. Screw the Y-adapter on the bottom side of the faucet spout supply line (11) threading under the countertop until tight.

## Install Hot Water Handle

1. Ensure the water supply is turned off.
2. Use the Allen Wrench (included) to loosen the handle (1) via the Allen head retaining screw (2), remove it from the valve assembly (5).
3. Unscrew trim cover (3); ensure washer (6) remains in place.
4. Face the outlet side (8) of the faucet valve assembly (5) under the countertop is facing the spout supply tube and Y-adapter (10) to the right.
5. From the underside of the countertop, install through the countertop on the left side opening by pushing the valve assembly (5) up from underneath through the opening to the top.
6. Place trim ring (4) on countertop (ensuring O-ring rubber seal is on the bottom of trim ring and seated properly within the groove).
7. Screw trim body (3) on top from above counter until trim body is tight and setting snug on the O-ring and sealed.
8. Tighten retaining nut (7) on bottom of valve assembly (5) under the washer (6) until both nut and washer are snug against countertop.
9. Reinstall handle (1) onto the valve assembly (5) stem at a 90 degree angle, perpendicular to the faucet (or in the "off" position).
10. Tighten the Allen head retaining screw (2) with Allen head wrench.

## Install Cold Water Handle

Repeat steps 1-10 of "Install Hot Water Handle"

Reverse outlet side of valve assembly to face left for proper supply line connections.

## Connect Flexible Supply Lines

Hot Water:

Connect one end of flexible supply line to the left side (hot water) outlet (8) and the other end to the left side of the Y-adapter (10) connected to the spout supply tube (11).

Cold Water:

Connect one end of flexible supply line to the right side (cold water) outlet and the other end to the right side of the Y-adapter (10) connected to the spout supply tube (11).

## Drain Lift Rod Installation

Place the drain pull lift rod into hole located at the back/top of the main faucet body.

Attach drain assembly per instructions with drain assembly installation guide.

## Install Supply Lines (not included)

A connector is included within the Valve assembly inlet (9) in the packaging with your D'Vontz faucet. The supply lines will need to be purchased separately. A flexible supply line with 1/2" npt fitting to fit the D'Vontz side or 3/8" copper tubing (fitting included) will work.

## Before Turning Supply Lines Back On

It is possible that debris (dirt, sand, stones, etc) may have fallen into the water lines during installation of your new faucet. As a precautionary measure:

1. Remove aerator valve on the end of the spout (on faucet).
2. Under the sink, turn supply lines to valves on (open shut off valve).
3. Turn hot and cold water on.
4. Allow water to flow for at least 15 seconds to flush the water through the sink, allowing any debris to clear the valve.
5. Securely replace aerator valve to end of spout and check for any leaks.

**If you have any trouble during the installation of your D'Vontz drain, please call our Customer Service department at 918-622-3600.  
Congratulations on the successful installation of your D'Vontz faucet!**

## Cautions, Care, Maintenance

For best results, keep the following in mind when caring for your D'Vontz faucet:

- Always test your cleaning solution on an inconspicuous area before applying to the entire surface.
- After every use, it is always best to wipe dry with a soft cloth to prevent water spotting and mineral build-up.
- It is recommended that you clean and wax regularly. Avoid industrial cleaners and abrasive cleaners, such as those used for toilet bowls and heavy duty scrub sponges. Avoid bleach, bleach products, products that state on the label that they remove tarnish and rust, and those containing hydrofluoric, hydrochloric and/or phosphoric acids or caustic agents.
- Wipe surfaces clean and rinse completely with water immediately after applying cleaner. Rinse and dry any overspray that lands on nearby surfaces.
- Do not allow cleaners to soak on surfaces.
- Use a soft, dampened sponge or cloth. Never use an abrasive material such as a brush or scouring pad to clean surfaces.

Please install this product according to the installation guide and all local plumbing codes.