

**MODEL # DV242SL-xx**  
**MODEL # DV246SL-xx**  
**MODEL # DV9111-xx**  
**MODEL # DV9111L-xx**



## **Thank You For Choosing Our D'Vontz Faucet**

We appreciate your commitment to D'Vontz quality. Please take a few minutes to review this manual before starting your installation. If you encounter any installation or performance problems, please don't hesitate to contact us. Thanks again for choosing D'Vontz.

**For expert faucet installation, you should contact a licensed professional plumbing contractor in your area.**

### **Before You Begin**

#### **CAUTION: Risk of restricted water flow and product damage.**

- Observe all local plumbing and building codes.
- Shut off the water supply to your home at the meter.
- Before installation, unpack the new faucet and inspect it for damage or missing pieces. (if any damage is present, promptly contact us for return/replacement options. No return/refund will be honored to any D'Vontz product post installation)
- Insure the supply line O'rings are not twisted or nicked before installing them.
- Return the faucet to the carton until you are ready to install it.
- Carefully inspect your homes waste and supply lines, stops or shut off valves for any sign of damage. Replace if necessary. NOW is the time to replace them before the installation of your new faucet.
- Use extreme care when connecting all hoses to avoid kinking and twisting. DO NOT over tighten the supply lines when attaching them to your faucet. The O'rings provide the water seal of the supply line.

#### **Tools you may need**

- Basin wrench
- Adjustable wrench
- Channel Lock wrench
- Allen wrench set
- Screwdriver (Phillips and Slotted)
- Teflon Tape
- 100% Clear Silicone (Plumbers Putty is NOT recommended as it may void warranties)
- Flashlight

**You are ready to begin your faucet installation by following the step-by- step instruction sheets.**

### **Cautions, Care and Maintenance:**

The plumber should read and review the general and specific care and maintenance of the products to ensure years of beauty and dependable service.

The use of Plumber's Putty is not recommended for installation and will void finish warranties. The use of any caustic material may harm the finish or interfere with the proper functioning of the product.

A high level of care and cleanliness should be taken throughout the installation. After installation remove the aerators and flush sediment, metal and other materials that may cause the product to malfunction.

High degree of heat may cause internal damage to parts. We recommend removing any cartridge when heat is used during installation.

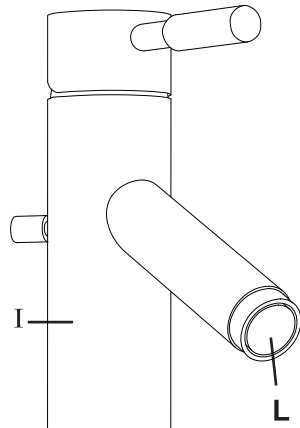
Improper care and cleaning will void the warranty. Proof of purchase (original sales receipt) must be provided with all warranty claims.

This warranty is extensive in that it covers replacement of all defective parts and even finish, but these are the only two things that are covered. LABOR CHARGES AND/OR DAMAGE INCURRED IN INSTALLATION, REPAIR, OR REPLACEMENT, AS WELL AS ANY OTHER KIND OF LOSS OR DAMAGE ARE EXCLUDED.

DO NOT OVER TIGHTEN THE MOUNTING NUT, WHICH COULD DAMAGE THE NUT AND FAUCET.

After every use, it is always best to wipe dry with a soft cloth to prevent water spotting and mineral build-up. We recommend that you clean and wax regularly. Avoid industrial cleaners and abrasive cleaners, such as those used for toilet bowls and green Scotch-Brite® heavy-duty scrub sponges. Please read the cleaning product's instructions, contents and cautions on any new cleaner before using it. Avoid bleach, products that state on the label that they remove tarnish and rust, and those containing hydrofluoric, hydrochloric and/or phosphoric acids or caustic agents.





## Installation Guide

1. Remove retaining nut and washers (B,C,D) from the threaded retaining post (A).
2. With the retaining post (A) screwed into the faucet ring (F) and the rubber O-ring (M) properly set into the groove on the bottom of the faucet ring, insert the stainless steel supply lines (G) and retaining post through the faucet hole on your counter top.
3. While supporting the faucet, reinstall the rubber washer (B), metal washer (C) and retaining nut (D). Screw the locking screws (E) out of the retaining nut until they become flush with the bottom of the retaining nut (D).
4. Tighten the retaining nut (D) until it contacts the metal washer (C) on the underside of the counter top and snug the locking screws using a phillips head screwdriver being sure not to over tighten.
5. Connect the water supply lines (G) to your water supply lines (J) coming from your shut off valves (K) with a 5/8" crescent wrench being sure not to over tighten.
6. Remove the faucet aerator end (L) before turning the water supply on to ensure debris in the lines passes through easily being sure to flush both the hot and cold lines before reinstalling the aerator.

## Lifetime Limited Warranty

D' Vontz warrants its faucets to be leak and drip free during normal residential use for as long as the original consumer/purchaser owns his or her home.

If this faucet should ever develop a leak or drip during the Warranty Period, D'Vontz will FREE OF CHARGE provide the parts necessary to put the faucet back in good working condition and will replace FREE OF CHARGE any part or finish that proves defective in material and manufacturing workmanship, under normal installation, use and service. This warranty covers replacement of all defective parts and finishes, these are the only two things that are covered. LABOR CHARGES AND/OR DAMAGE INCURRED IN REMOVAL, INSTALLATION, REPAIR, OR REPLACEMENT, AS WELL AS ANY OTHER KIND OF LOSS OR DAMAGES ARE EXCLUDED. Proof of purchase (original sales receipt) from the original consumer purchaser must be made available to D'Vontz for all warranty claims. D' Vontz has the final authority in what constitutes a warranty claim.

The use of Plumbers Putty will void finish warranty, only use 100% Silicone! Improper care and cleaning will void the warranty. D'Vontz is not responsible for LABOR CHARGES, REMOVAL, INSTALLATION, or OTHER INCIDENTAL or CONSEQUENTIAL COSTS. In no event shall the liability of D'Vontz exceed the original purchase price of the faucet, which may include damages for personal injury, personal property damage or economic loss.

NOTE: The Oil Rubbed Bronze and Victorian Bronze finishes are living finishes and are simply cared for and cleaned with a mild soap and water. Any use of harsh chemicals found in some cleaning product will damage the finish and void the warranty. The use of liquid plumbing cleaners, bleach and some dental cleaning pastes with whitening agents may also damage these finishes.

This warranty is only valid to the original consumer purchaser and excludes ALL industrial, commercial or business use of the product. D'Vontz will advise you of the procedure to follow in making warranty claims. Simply write to D'Vontz:

**D' Vontz LLC.**  
7208 E. 38th St.,  
Tulsa, OK. 74145  
USA  
Office 1-918-622-3600  
Fax 1-918-622-3649  
Email [info@dvontz.com](mailto:info@dvontz.com)

Explain the defect and include proof of purchase and your name, address, area code and telephone number.

