



PRODUCT SPECIFICATIONS

Exclusively Designed • INTERNATIONALLY RECOGNIZED™

Funnel Model # {xx} - F4014

Product Features:

- Natural Marble
- Above Counter Application
- Without Overflow
(Non-Overflow Drain Required)



This Product Complies With:

- IAPMO PS 99
- ADA Accessibility Guidelines 4.19 (if installed per ADAAG Figure 31)
<http://www.access-board.gov/adaag>

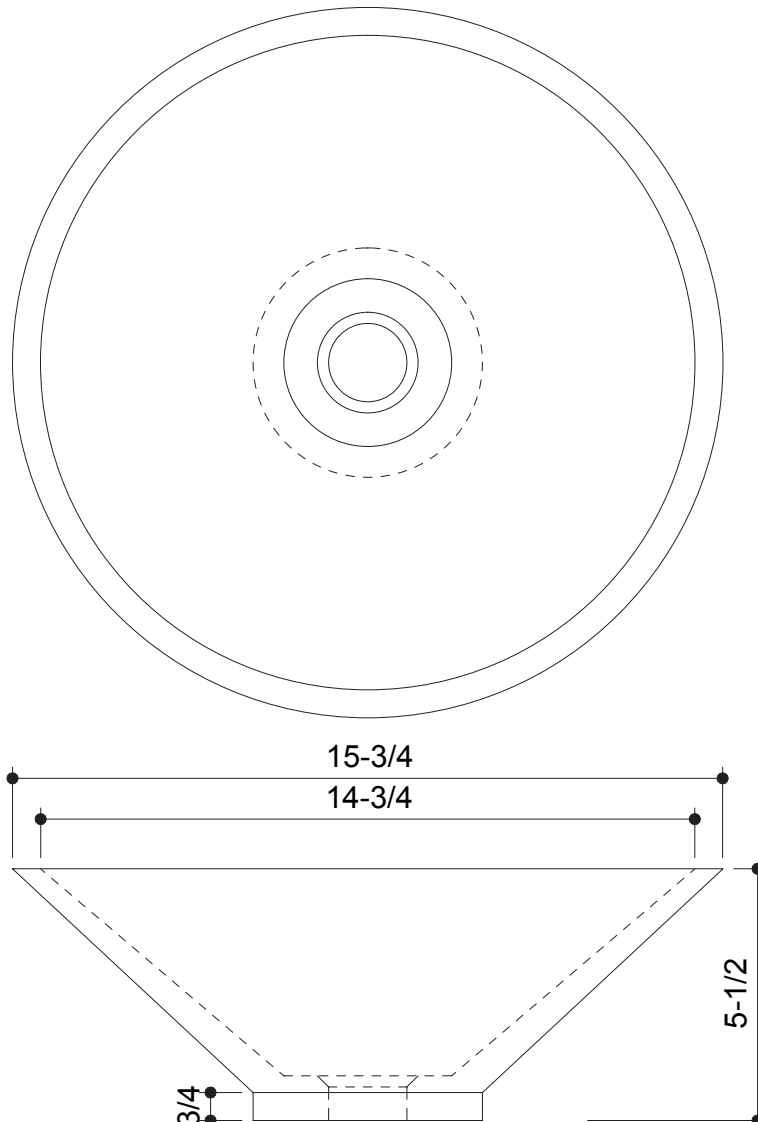
Measurements:

- Diameter: 15-3/4" (40 cm)
- Height: 5-1/2" (14 cm)
- Fits Standard 1-1/4" (3.2 cm) Drain

Recommended Accessories:

- Any D'vontz ® Lavatory Drain Without Overflow
- Any D'vontz ® Vessel Faucet With Extension

PRODUCT DIMENSIONS



Please install this product according to the installation guide and all local plumbing codes.