



# PRODUCT SPECIFICATIONS

*Exclusively Designed* • INTERNATIONALLY RECOGNIZED™

## Oval Medium Model # DVH107- {xx}UM

### Product Features:

- Vitreous China
- Undermount Application
- With Overflow  
(Overflow Drain Required)
- White or Bisque Finish



### This Product Complies With:

- ASME A112.19.2-2008
- CSA B45.1-08
- ADA Accessibility Guidelines 4.19 (if installed per ADAAG Figure 31)  
<http://www.access-board.gov/adaag>

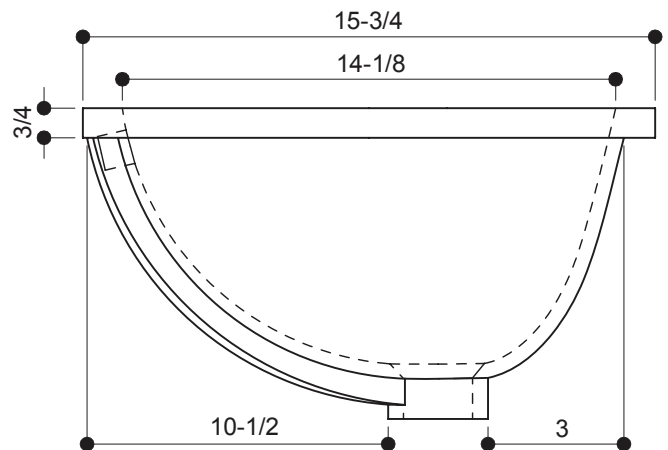
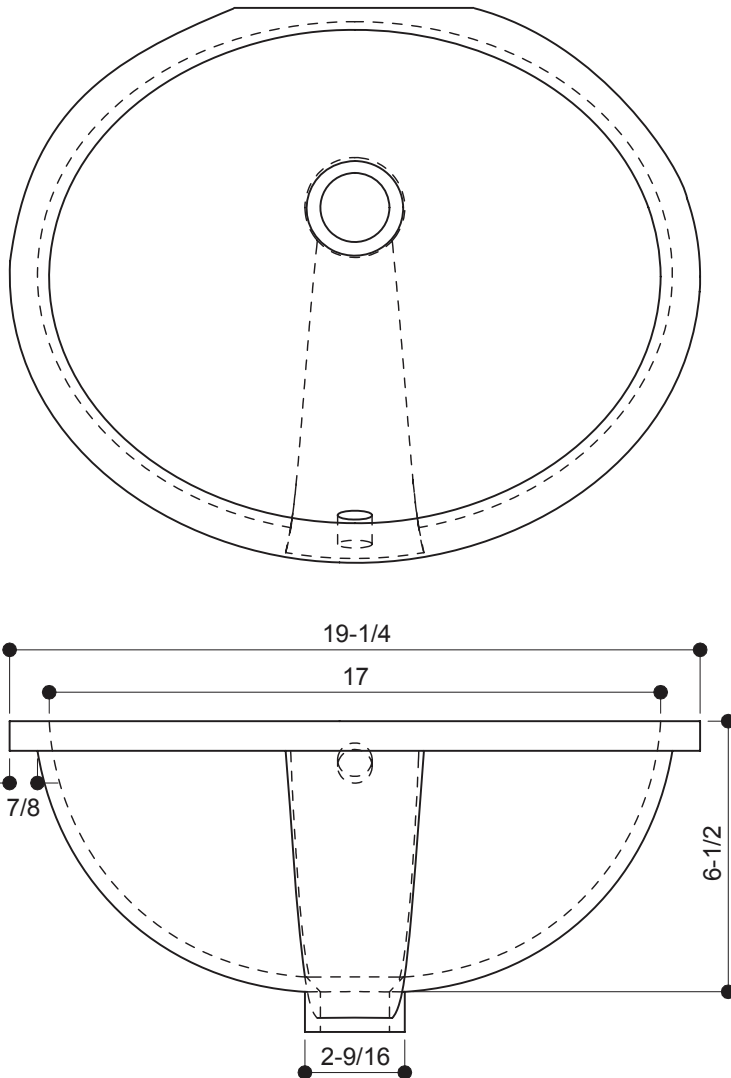
### Measurements:

- Width: 19-1/4" (49 cm)
- Depth: 15-3/4" (40 cm)
- Fits 1-1/2" (3.8 cm) Drain
- Height: 6-1/2" (16.5 cm)

### Recommended Accessories:

- Any D'Vontz® Faucet
- Any D'Vontz® Overflow Drain

## PRODUCT DIMENSIONS



Please install this product according to the installation guide and all local plumbing codes.