



PRODUCT SPECIFICATIONS

Exclusively Designed • INTERNATIONALLY RECOGNIZED™

Barbados

Model # DV-H134{xx}AC

Product Features:

- Vitreous China
- Vessel Application
- Without Overflow
(Non-Overflow Drain Required)
- White or Bisque Finish



This Product Complies With:

- ASME A112.19.2-2008
- CSA B45.1-08
- ADA Accessibility Guidelines 4.19 (if installed per ADAAG Figure 31)
<http://www.access-board.gov/adaag>

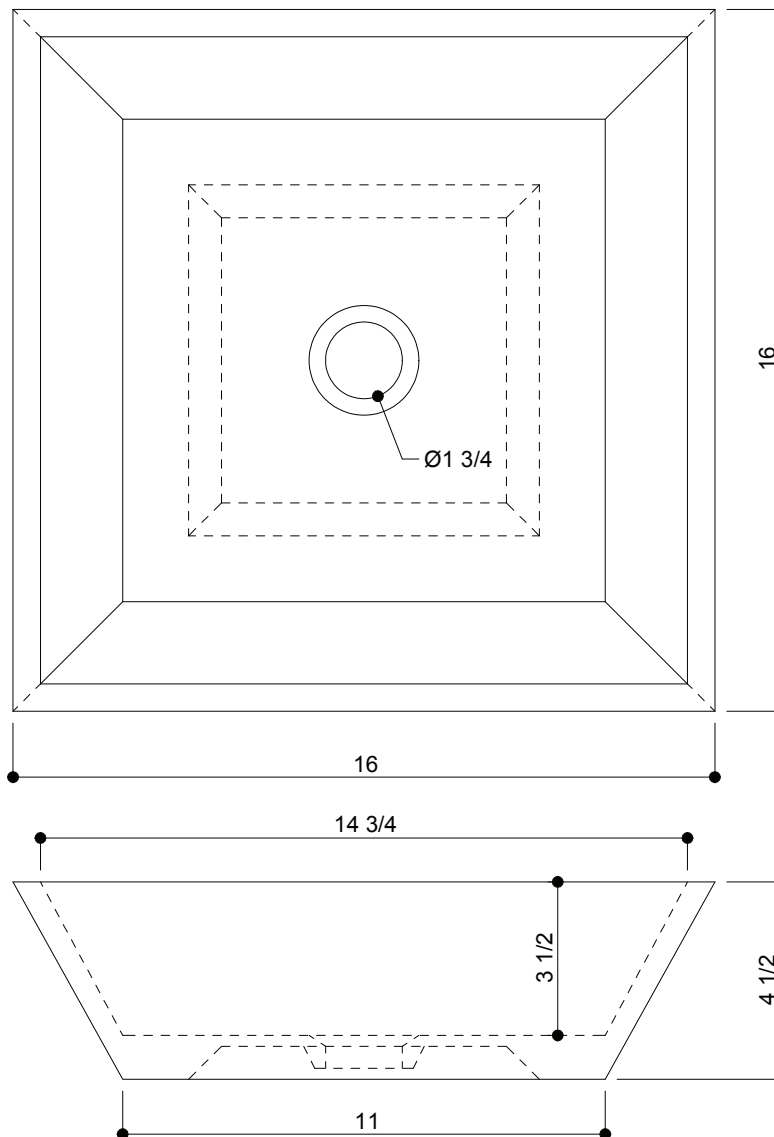
Measurements:

- Width: 16" (40.6 cm)
- Depth: 16" (40.6 cm)
- Fits 1-1/2" (3.8 cm) Drain
- Height: 4-1/2" (11.4 cm)

Recommended Accessories:

- Any D'Vontz® Vessel Faucet
- Any D'Vontz® Vessel Drain

PRODUCT DIMENSIONS



Please install this product according to the installation guide and all local plumbing codes.