



# PRODUCT SPECIFICATIONS

*Exclusively Designed* • INTERNATIONALLY RECOGNIZED™

## Wabi Sabi

### Model # {xx} - R4515-W

#### Product Features:

- Natural Marble
- Above Counter Application
- Without Overflow  
(Non-Overflow Drain Required)



#### This Product Complies With:

- IAPMO PS 99
- ADA Accessibility Guidelines 4.19 (if installed per ADAAG Figure 31)  
<http://www.access-board.gov/adaag>

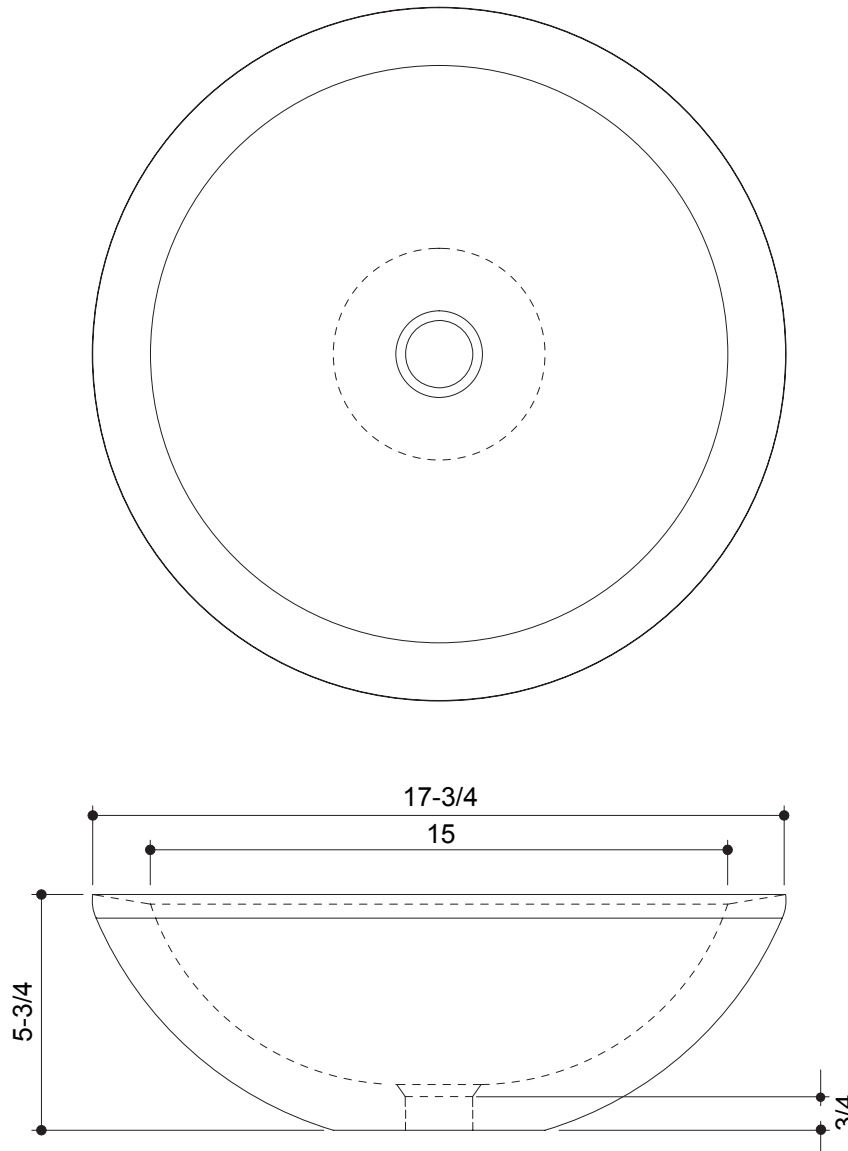
#### Measurements:

- Diameter: 17-3/4" (45.1 cm)
- Height: 5-3/4" (14.6 cm)
- Fits Standard 1-1/4" (3.2 cm) Drain

#### Recommended Accessories:

- Any D'vontz ® Lavatory Drain Without Overflow
- Any D'vontz ® Vessel Faucet With Extension

### PRODUCT DIMENSIONS



Please install this product according to the installation guide and all local plumbing codes.